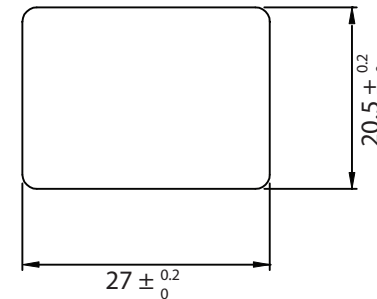
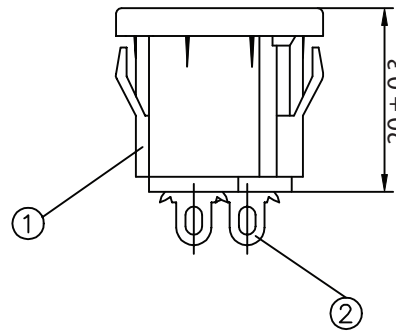
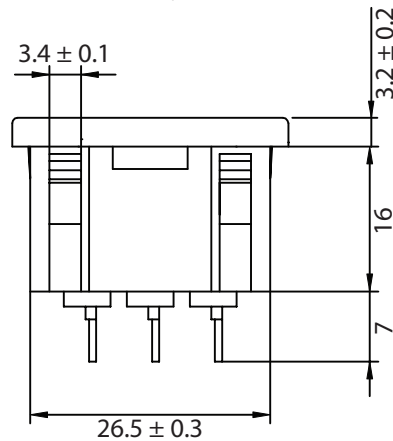
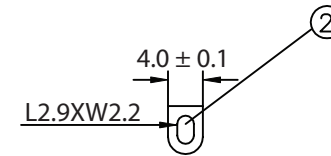
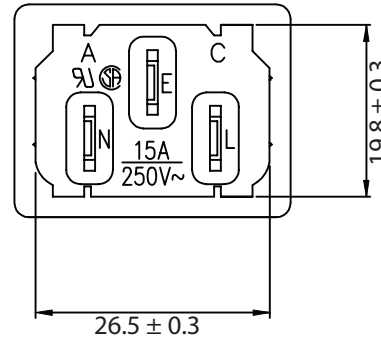
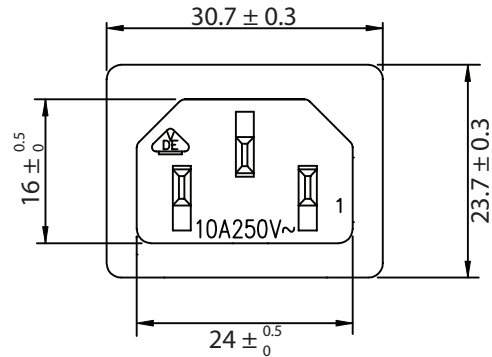


THESE DRAWINGS ARE THE PROPERTY OF QUALTEK ELECTRONICS AND NOT TO BE REPRODUCED FOR OR COMMUNICATED TO A THIRD PARTY WITHOUT THE EXPRESS WRITTEN PERMISSION OF AN OFFICER OF QUALTEK ELECTRONICS.

REVISION			
REV.	DESCRIPTION	DATE	APPROVED
B	RoHS Compliancy	06-01-06	DP
C	Updated Dimensions	06-30-08	DP



PANEL CUTOUT THICKNESS FOR PLASTIC PANEL 0.8mm~1.5mm
PANEL CUTOUT THICKNESS FOR STEEL PANEL 0.8mm~2.0mm

CONTROLLED

NOTES:

MATERIAL:

HOUSING: THERMOPLASTIC
TERMINAL: COPPER ALLOY

RATING:

UL, CSA: 15A 250V AC
VDE: 10A 250V AC
INSULATION RESISTANCE: OVER 100M OHM 500V DC
DIELECTRIC RESISTANCE: 2000V AC ONE MINUTE
APPROVALS: UL, CSA, VDE
RoHS COMPLIANT

2	Terminal Set COPPER ALLOY Tin-Plated	3		
1	Housing SNAP-IN TYPE	1		
		Qualtek Electronics Corp. PPC DIVISION		
Dim range (mm)	Tolerance +/- (mm)	Part Number: 701W-X2/02 RoHS Compliant		
0-1	0.15	Description: AC RECEPTACLE		
1-6	0.20			
6-18	0.30			
18-50	0.50			
50-120	0.70			
120-250	0.90	UNIT: mm	REV. C	
250-500	1.20	Drawn / Date	Checked / Date	Approved / Date
		B.Zhang 10-25-04	10-25-04	JJH / 10-25-04